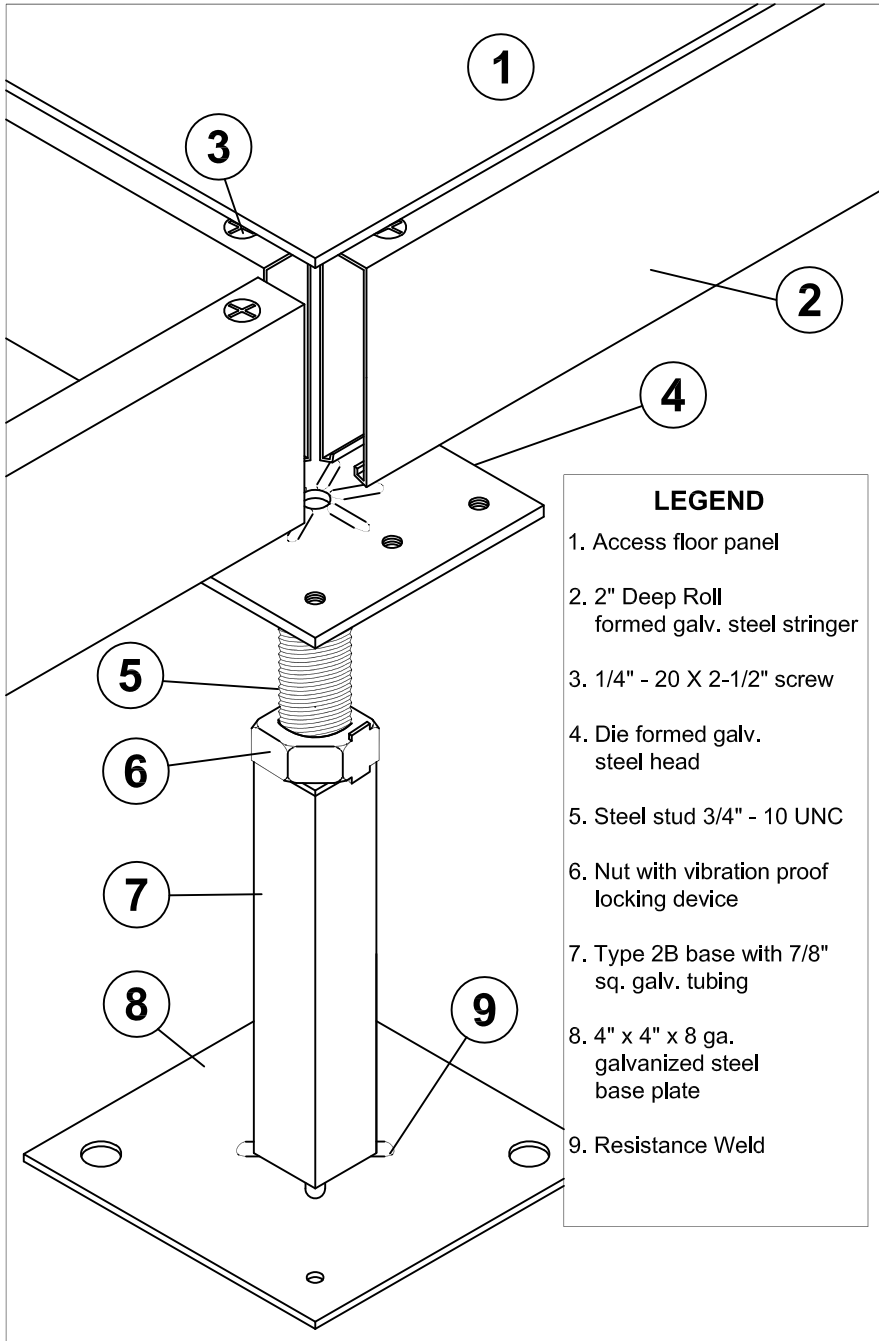


2" Deep Bolted Stringer Understructure for ConCore[®] 3000 Access Floor Panels-24". Type 2B Pedestal.



- LEGEND**
1. Access floor panel
 2. 2" Deep Roll formed galv. steel stringer
 3. 1/4" - 20 X 2-1/2" screw
 4. Die formed galv. steel head
 5. Steel stud 3/4" - 10 UNC
 6. Nut with vibration proof locking device
 7. Type 2B base with 7/8" sq. galv. tubing
 8. 4" x 4" x 8 ga. galvanized steel base plate
 9. Resistance Weld

PEDESTAL SPECIFICATIONS

Pedestal Assembly

- Assembly up to 36" FFH shall provide a 6,000 lb. axial load without permanent deformation.
- Assembly shall provide a 2" total adjustment with a floor height of 8" or greater.
- Standard finished floor heights from 6" to 36". For other finished floor heights please contact the Tate Technical Hotline @ 800-231-7788. For seismic conditions, refer to seismic submittal details.
- All pedestal components and fasteners are completely electro-zinc free.

Pedestal Head

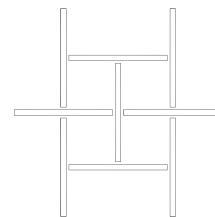
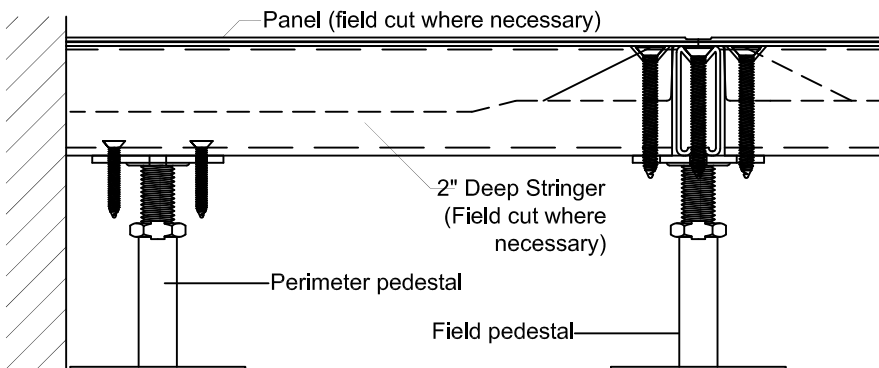
- 8 ga. die formed galvanized steel pedestal head with fillet welded stud with adjustment nut. Head and installed stringers shall provide full perimeter edge support for panel.
- Stringers shall be attached with 1/4" - 20 flat-head screws.
- Pedestal head shall be tapped for engagement of stringer screws.
- Steel stud shall be 3/4" - 10 UNC.
- Nut shall be 3/4" - 10 UNC with corrosion resistant coating.
- Stud shall provide an anti rotation feature when engaged with the pedestal base assembly (8" FFH or higher).

Pedestal Base

- Base to be at least 16" square and hot dipped galvanized steel and shall have (2) 7/16" diameter holes and (2) 3/16" diameter holes for mechanical fastening applications.
- Pedestal tube shall be 7/8" square x 16 ga. wall galvanized tubing.

Stringers

- Heavy duty roll formed steel stringer shall be 2" deep X 3/4" wide and shall withstand 1250 lb. mid-span load.
- Galvannealed stringer construction to prevent corrosion. Zinc electroplating is prohibited.
- Stringer grid pattern shall be 4' / 4' basketweave.



Perimeter

- Perimeter pedestal shall provide support for panels around columns, at walls, curbs and fascia.