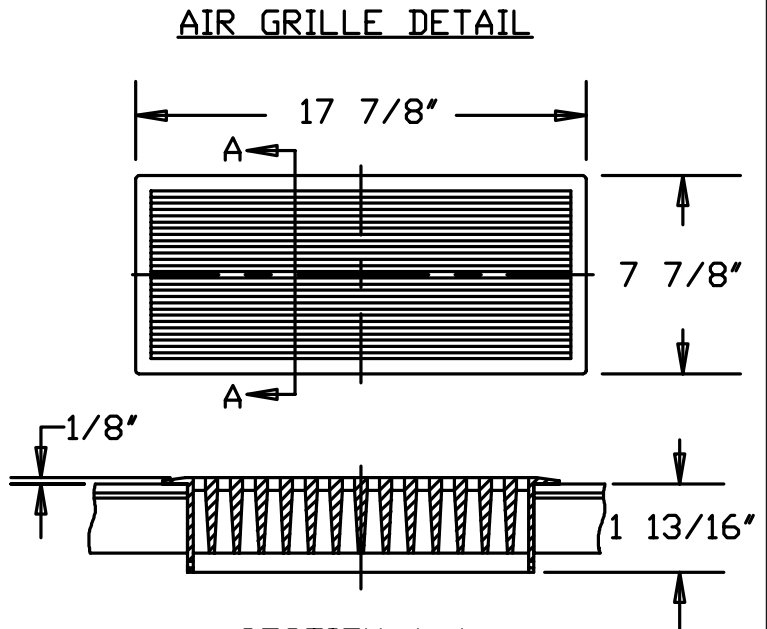


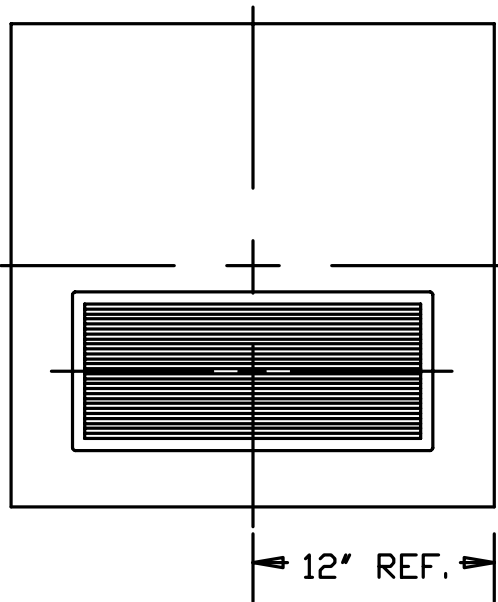
### PANEL CUTOUT

Hole in panel is factory punched in fixed location to maximize structural integrity of cut panel and provide snug fit to eliminate rattle/vibration during operation



### SECTION A-A

Six individual adjustable dampers on bottom of grille



### INSTALLATION

#### Construction

- \*Thermoplastic resin material (Lexan 500) fire rated by UL under test method 94 V-0
- \*Electrically nonconductive material, eliminating the need for isolation band used with metal grilles
- \* One piece molded construction

#### Features

- \*Heavy-duty construction supports rolling and concentrated loads up to 1,000 lbs.
- \*Open area of 51 sq. in. provides improved air volume
- \*Six adjustable/removable damper blades allow fine tuned air volume control
- \*Standard grey color compliments any decor

Lexan Grille Air Flow (CFM) Dampers Full Open					
Static Pressure (inches H <sub>2</sub> O)	.01	.05	.10	.20	.50
Cubic Feet Per Minute (CFM)	129	325	468	696	1100