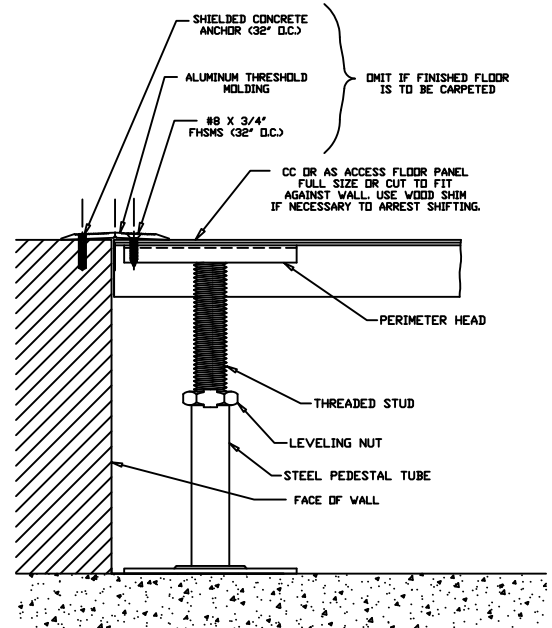
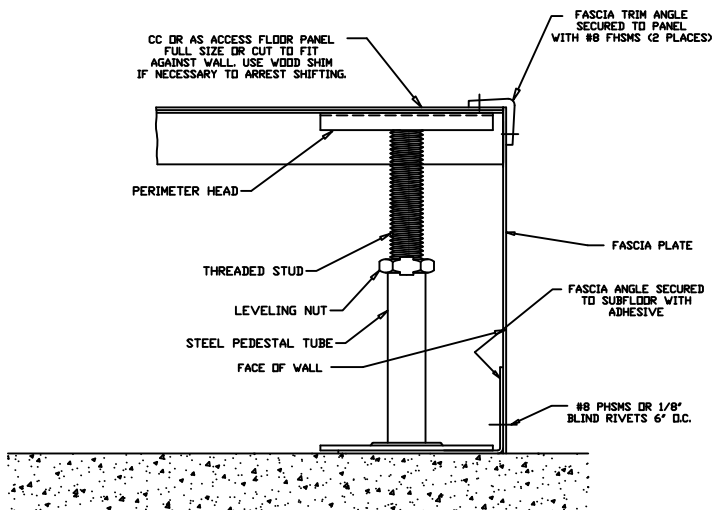


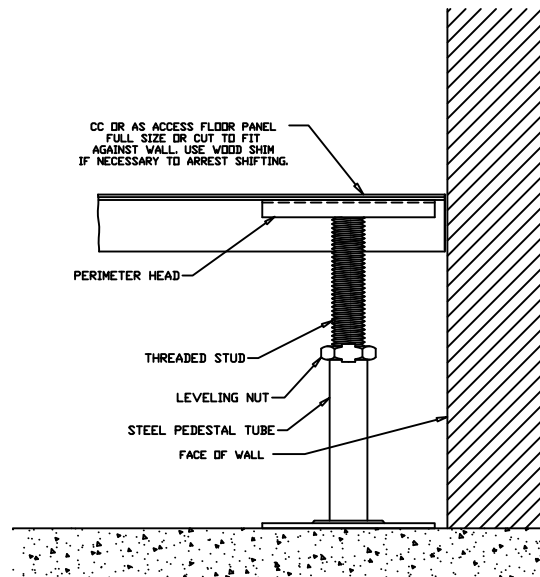
TYPICAL SECTION AT FIELD



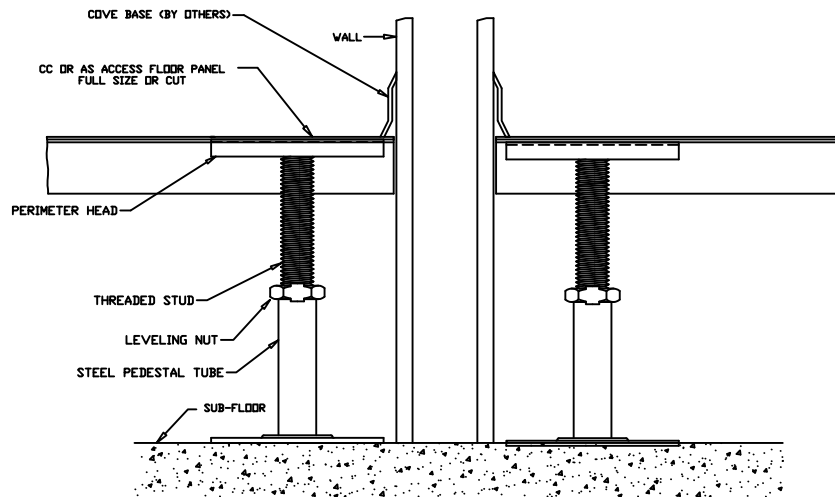
SECTION AT CURB



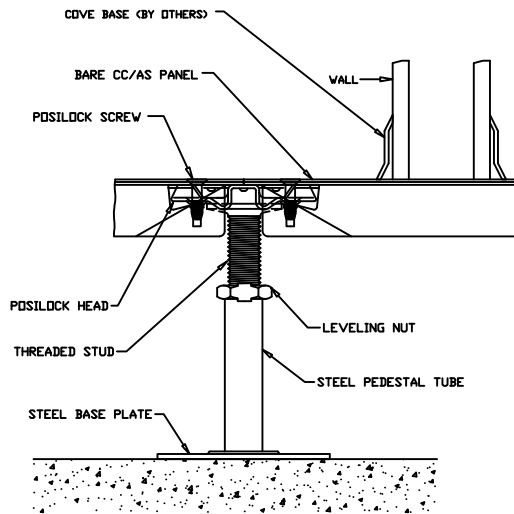
SECTION AT FASCIA



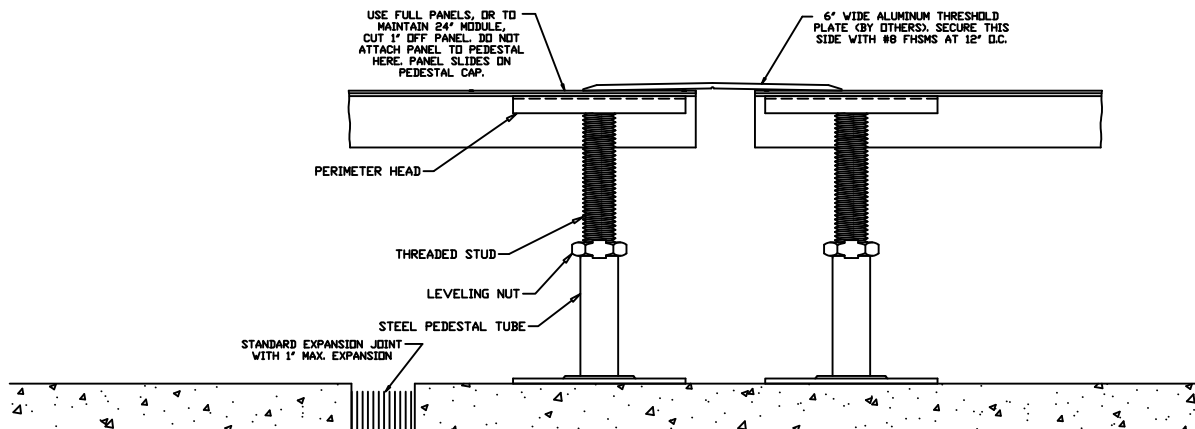
SECTION AT EXTERIOR WALL



SECTION AT THRU WALL



SECTION WITH SURFACE PARTITION



EXPANSION JOINT