

Transition from Elevator/On-Slab Doorways to Access Floor

Tate Access Floors, Inc.
 7510 Montevideo Road
 Jessup, MD 20794
 Tel (410) 799-4200
 Fax (410) 799-4207



Elevator door

Wall

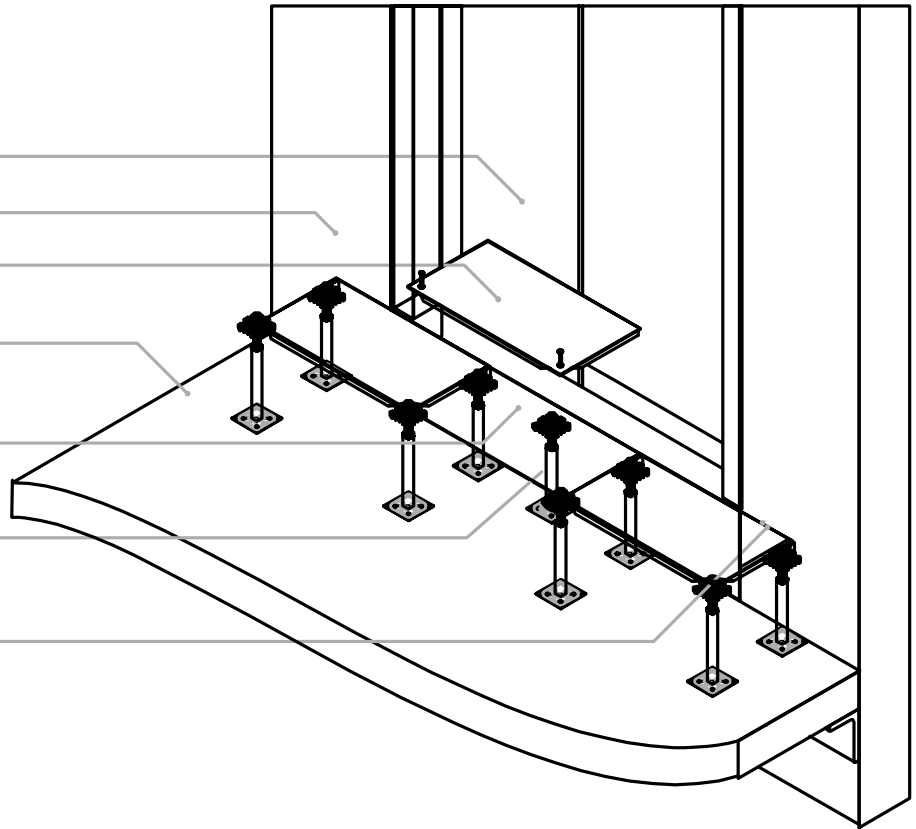
Access panel fastened to pedestals

Floor

Wall

Mid span pedestal or structural angle (as shown below) for doorways where high traffic and rolling loads occur

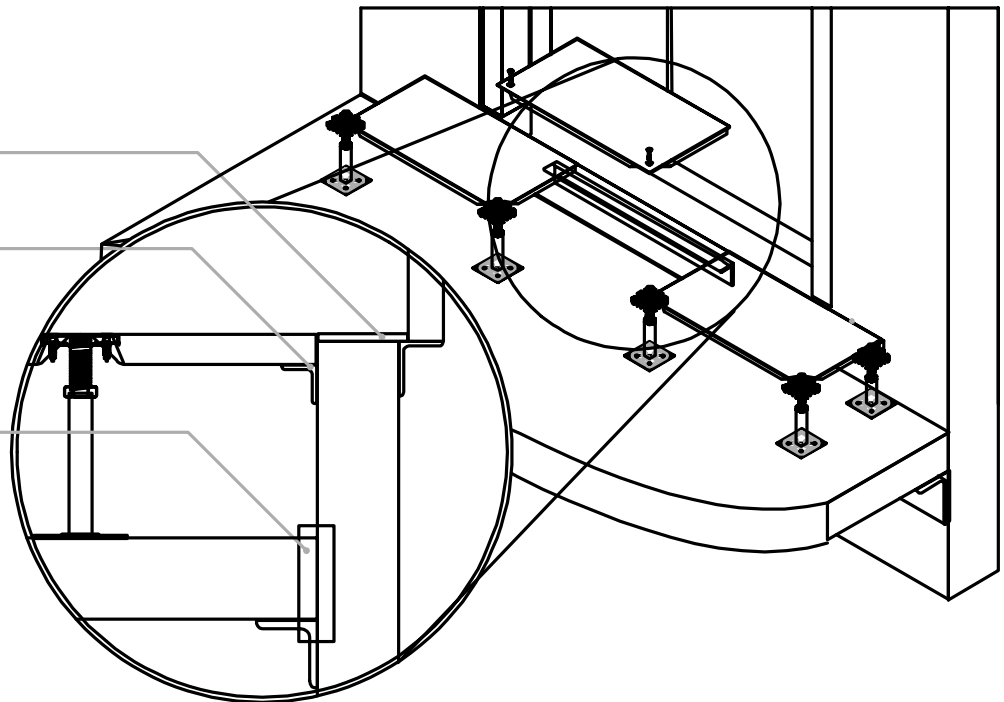
Panel cut to suit



Elevator threshold plate

Additional pedestal or structural angle support

Fire stop material



When you transition from an elevator, on-slab doorway or high traffic area to an access floor, additional support under the access floor panel at this transition is recommended. This additional support can be handled in several ways, two such methods are offered for your consideration: